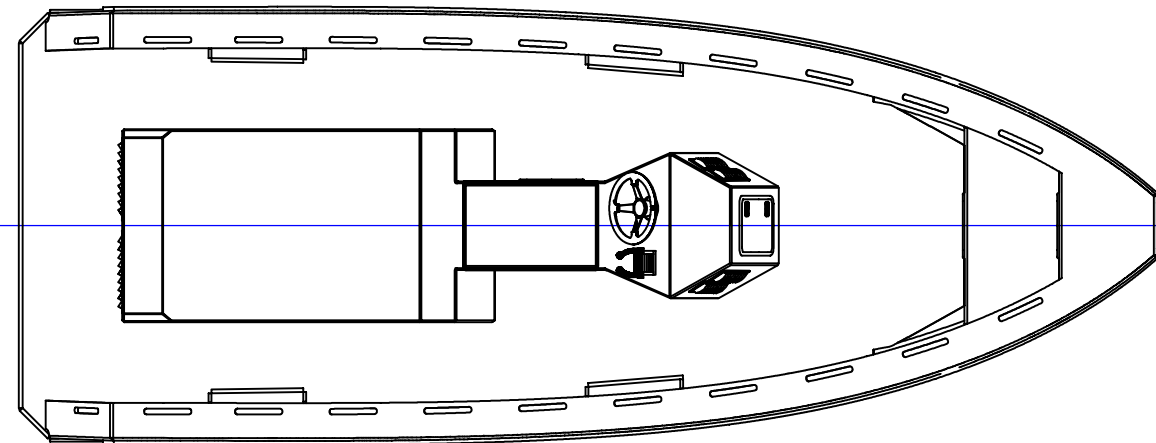
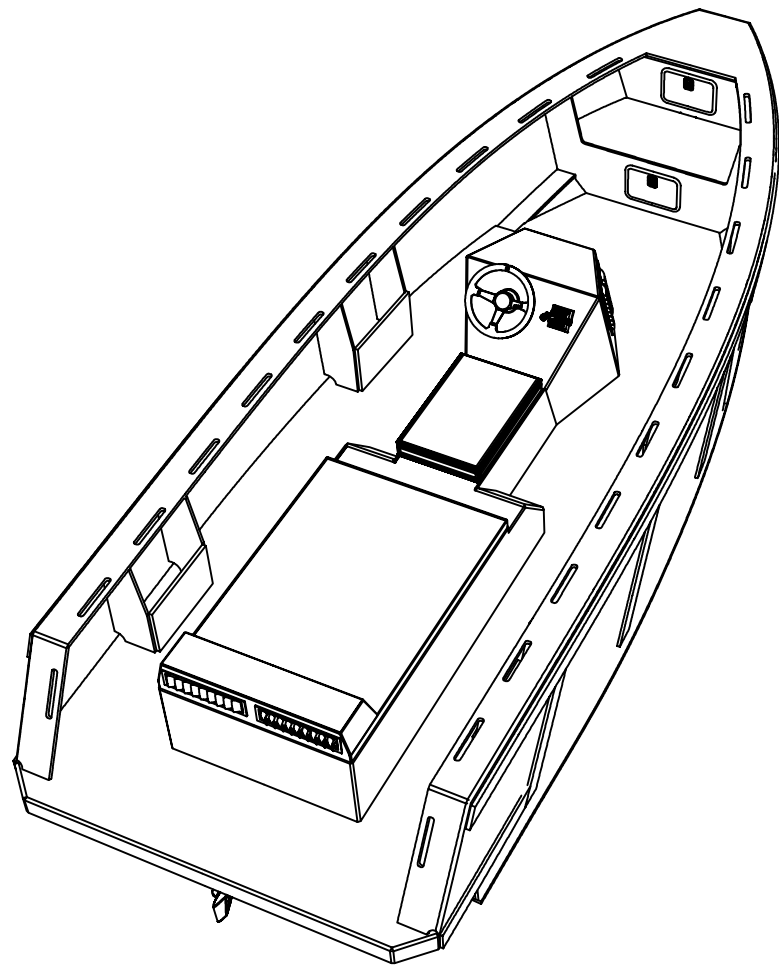


WL 425

BASE



CENTERLINE

Main particulars

Length hull 6.00 [m]  
 Breadth hull 2.32 [m]  
 Depth at 1/2L 1.26 [m]  
 Frame spacing 500 [mm]  
 Building material (hull) HDPE 10,15 & 20 [mm]  
 (engine box hatch) Aluminium EN-AW 5083, 4 [mm]  
 Propulsion 1 x Steyr M0164M40 , 164 [HP]  
 1 x Alamarin 245 Waterjet

	Niewendamkade 26 1022 AB Amsterdam The Netherlands		www.tidemanboats.com bruno@tidemanboats.com +31 6 292 005 17		
	DRAWN TIDEMAN BOATS	CHECKED B.A. de Vries	FORMAT A3	SCALE 1:40	PROJECTION 
	APPROVED	DATE 15-10-2015			
<h3>HDPE RBB550 – GENERAL ARRANGEMENT</h3>					
TYPE FAST CREW TENDER	YARD NO contractor	DWG NO	SET	REVISION —	