



# 4LHA-DTP Series

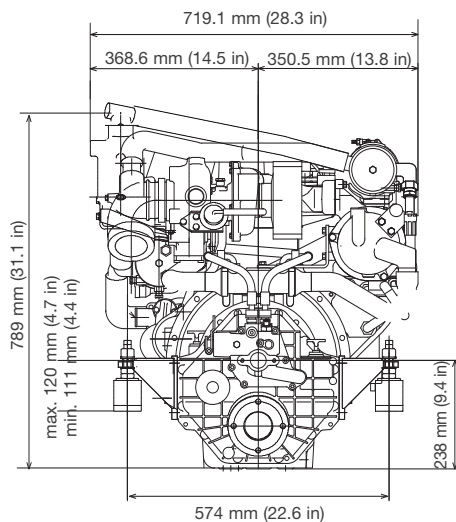
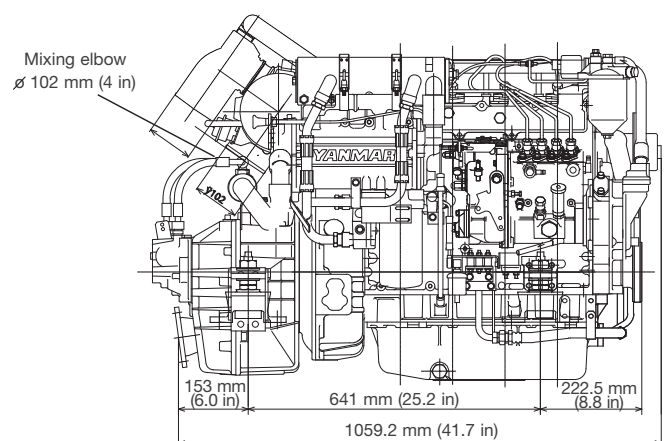
Configuration	4-stroke, vertical, water-cooled diesel engine		
Maximum output at crankshaft	* 147 kW@3300 rpm	[200 mhp@3300 rpm]	
	** 140 kW@3300 rpm	[190 mhp@3300 rpm]	
Displacement	3.455 ltr	[211 cu in]	
Bore x stroke	100 mm x 110 mm	[3.94 in x 4.33 in]	
Cylinders	4 in line		
Combustion system	Direct injection		
Aspiration	Turbocharged with intercooler		
Starting system	Electrical starting 12V		
Alternator	12V - 80A		
Cooling system	Fresh water cooling by centrifugal fresh water pump and rubber impeller seawater pump		
Lubrication system	Enclosed, forced lubricating system		
Direction of rotation [crankshaft]	Counterclockwise viewed from flywheel side		
Dry weight without gear	365 kg	[805 lbs]	
Environmental	EU: RCD	BSO II	EMC
	SOLAS MED 96/98/EC		
Engine mounting	Rubber type flexible mounting		

**NOTE:**Fuel condition: Density at 15°C = 0.842 g/cm<sup>3</sup>; 1 mhp = 1 ps = 0.7355 kW = 0.9863 bhp

\* Fuel temperature 25°C at the inlet of the fuel injection pump [ISO 3046-1]

\*\* Fuel temperature 40°C at the inlet of the fuel injection pump [ISO 8665: 2006]

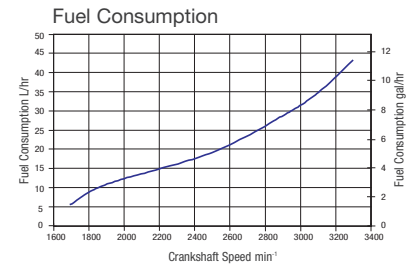
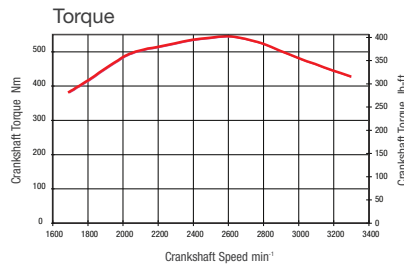
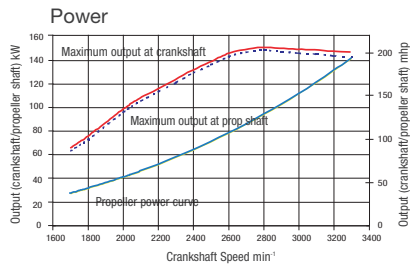
Technical data is according to ISO 8665: 2006/3046-1

**DIMENSIONS****Rear view****Right side view**

4LHA-DTP with ZF63A marine gear



PERFORMANCE CURVES (Output is according ISO 8665 - Output includes +/- 3% tolerance)



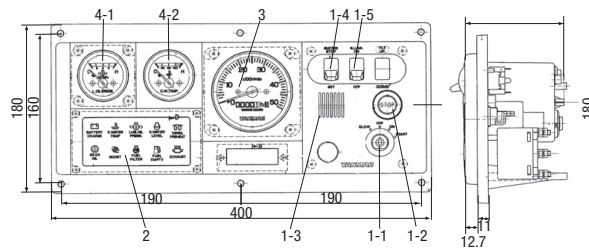
MARINE GEARS\*

Model	KMH50A			ZF63A				
Type	8° down hydraulic			8° down hydraulic				
Dry weight	44 kg [97 lbs]			28 kg [62 lbs]				
Reduction ratio [fwd/asn]	1.67/1.67	2.13/2.13	2.43/2.43	1.22/1.22	1.56/1.58	2.04/2.02	2.52/2.54	2.68/2.71
Propeller speed [fwd/asn]	1976/1976	1549/1549	1358/1358	2714/2716	2111/2085	1620/1636	1308/1301	1230/1218
Direction of rotation [propeller shaft - fwd]	Clockwise & Counterclockwise viewed from flywheel side			Clockwise & Counterclockwise viewed from flywheel side				
Dry weight engine and gear/drive	409 kg [902 lbs]			393 kg [866 lbs]				

\* Other marine gearboxes and configurations available upon request. Contact your local supplier for more information.

INSTRUMENT PANELS

New C-type Panel



Function	TYPE OF INSTRUMENT PANEL
<b>1-Switch unit</b>	<b>NEW C-TYPE PANEL</b>
1-1 Key switch for GLOW/OFF/ON/START [4-position switch]	Equipped on panel
1-2 Engine stop switch	Equipped on panel
1-3 Alarm buzzer [C.W. Temp., L.O. Pressure]	Equipped on panel
1-4 Alarm buzzer stop switch	Equipped on panel
1-5 Illumination switch for meters	Equipped on panel
<b>2-Alarm lamp unit</b>	
Battery not charging	Equipped on panel
C.W. high temperature	Equipped on panel
L.O. low pressure	Equipped on panel
Boost pressure high [for 4LHA-STP]	Equipped on panel
<b>3-Tachometer with hour meter</b>	Equipped on panel
<b>4-Sub meter unit</b>	Equipped on panel
4-1 L.O. pressure meter	Equipped on panel
4-2 C.W. Temperature meter	Equipped on panel
4-3 Boost meter [turbo]	Not equipped on panel
<b>5-Quartz clock</b>	Not equipped on panel

ACCESSORIES

Standard Package

- Sensor for various panels
- Exhaust/water mixing elbow [L-type]
- Alternator 12V - 80A

Optional

- Flexible mounts
- High-riser/water mixing elbow [instead of L-elbow]
- New C-type instrument panel
- Dual station Y harness
- Dipstick for opposite side
- Air venting device for cooling water tank

NOTE: All data subject to change without notice. Text and illustrations are not binding.