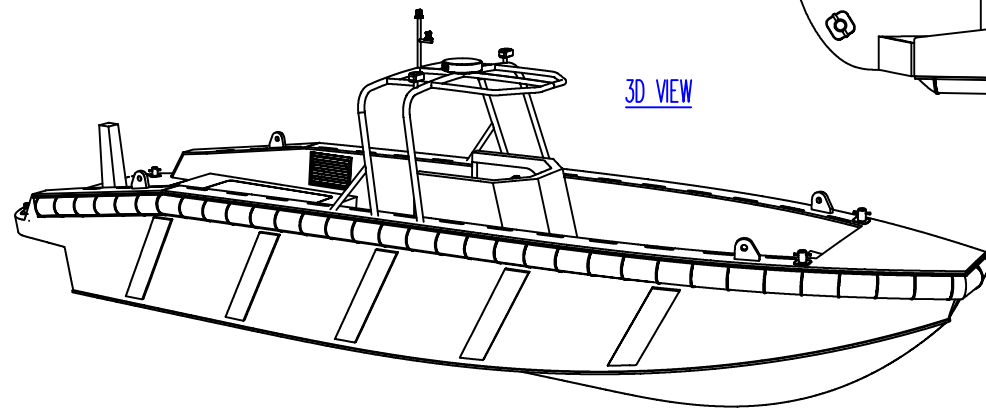
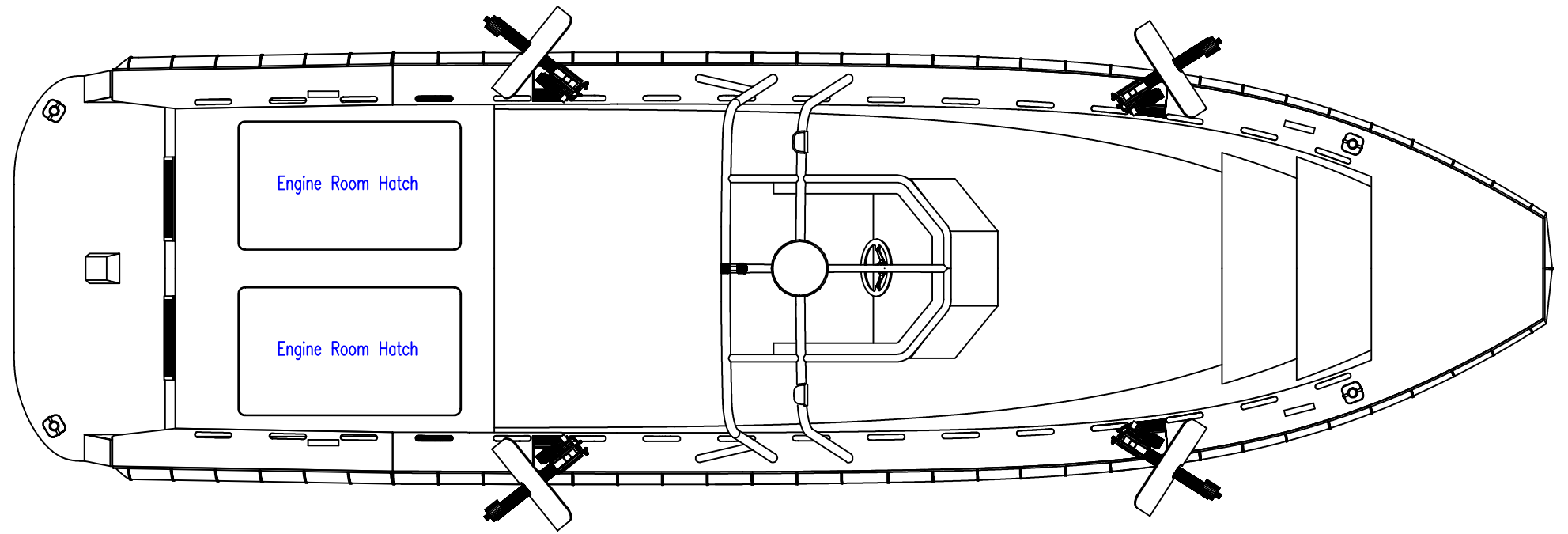



LET OP LENGTE = 10.30
BREEDTE = 2.90



3D VIEW

Main particulars

Length over all 11.50 [m]
 Breadth over all 3.20 [m]
 Displacement Approx. 7500 [kg]
 Engine power max 2 x 500 HP

| | | | | | |
|---|--|--------------------------------------|--|--------------------|---|
|  | Nieuwendammerkade 26 1022 AB Amsterdam The Netherlands | | www.tidemanboats.com bruno@tidemanboats.com +31 6 292 005 17 | | |
| | DRAWN CHECKED APPROVED | TIDEMAN BOATS B.A. de Vries | FORMAT SCALE DATE | A3 1:40 2015 | PROJECTION  |
| | HDPE SOC-R 11.50 – GENERAL ARRANGEMENT | | | | |
| TYPE | | YARD NO <small>contractor</small> | DWG NO | NET | REVISION - |
| YARD NO <small>building yard</small> | | | | | |