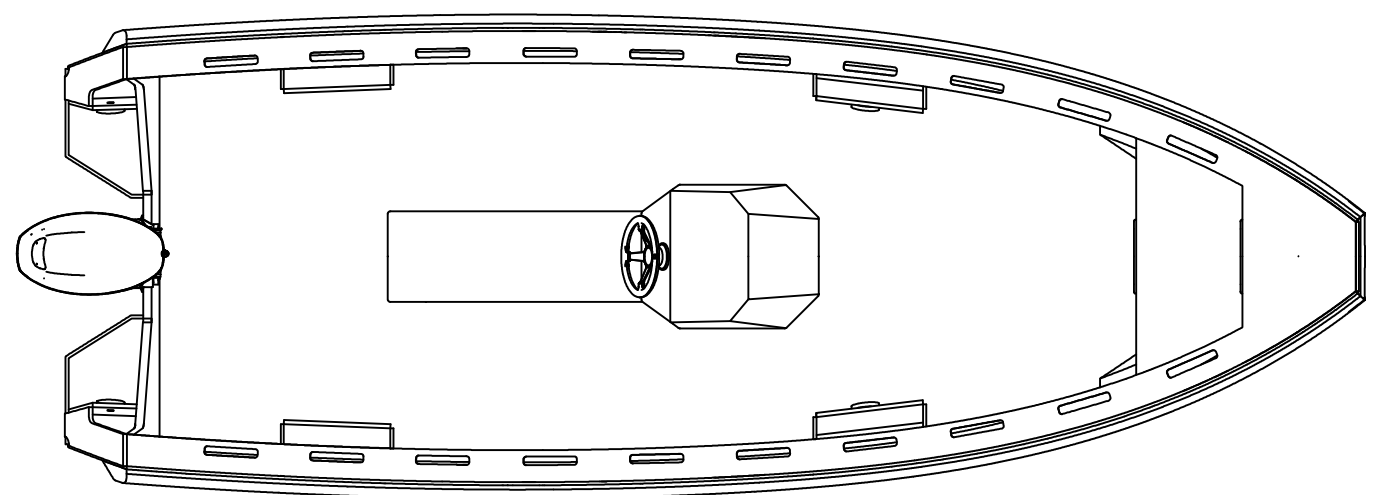
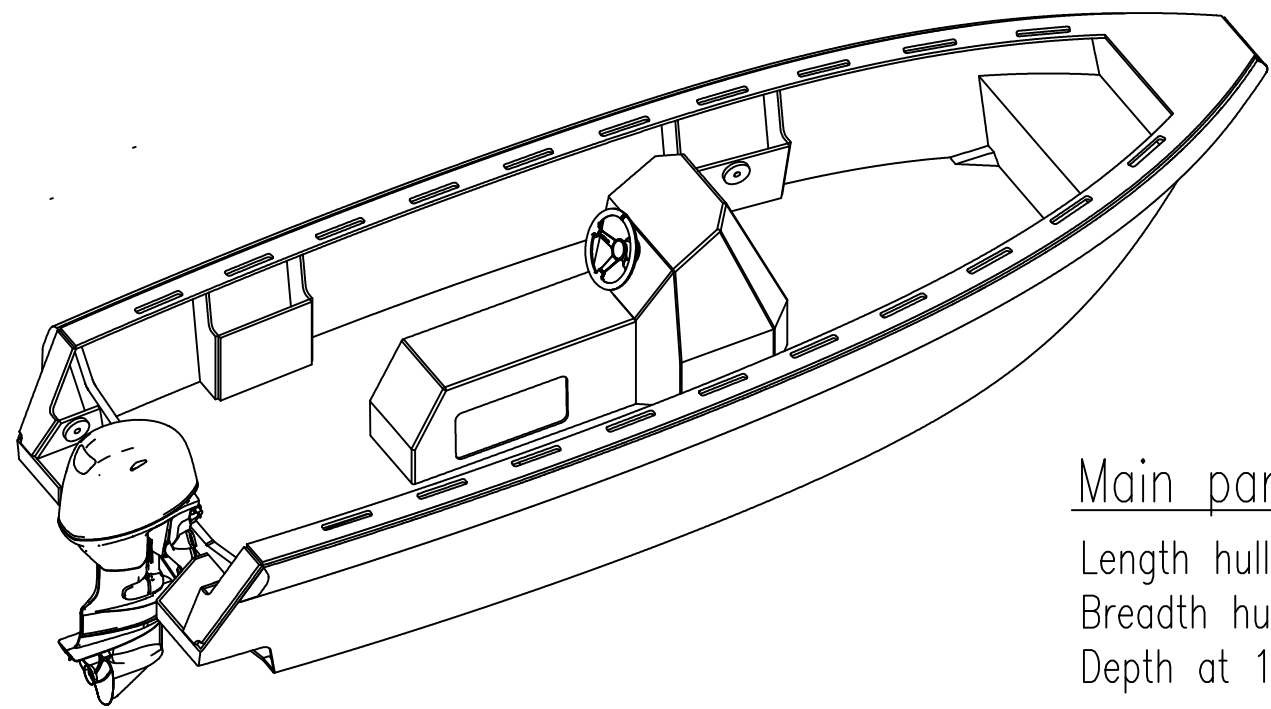


WL 320

BASE


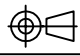


Main particulars

Length hull 6.00 [m]  
 Breadth hull 2.15 [m]  
 Depth at 1/2L 1.13 [m]

Building material HDPE 12,15 & 20 [mm]

Propulsion 1 x Yamaha F70, 70 [HP]

	Niewendammerkade 28C3 1022 AB Amsterdam The Netherlands		www.tidemanboats.com bruno@tidemanboats.com +31 6 292 005 17		
	DRAWN	TIDEMAN BOATS	FORMAT	A3	PROJECTION 
	CHECKED	B.A. de Vries	SCALE	1:40	
APPROVED	B. Tideman	DATE	09-01-2017		
HDPE RBB550 OB – GENERAL ARRANGEMENT					
TYPE		RBB 550 SINGLE OUTBOARD			
YARD NO contractor		DWG NO		SHEET	REVISION
YARD NO building yard					—