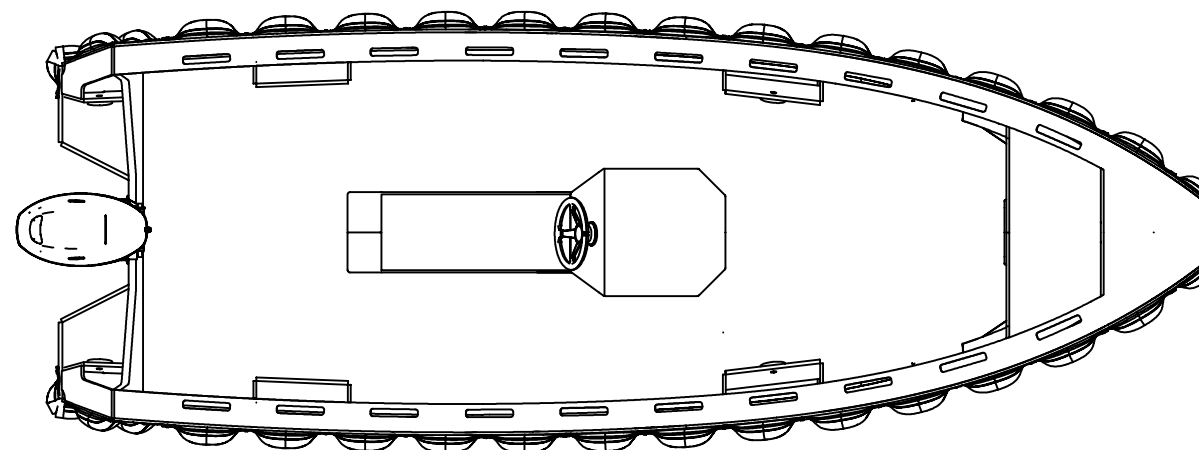
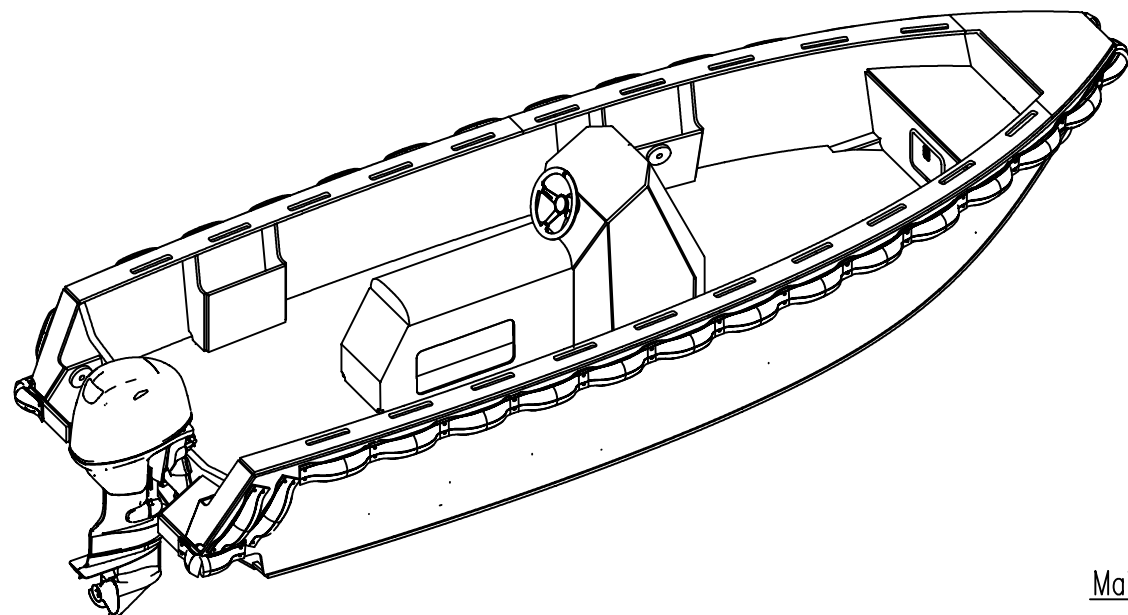




WL 350

BASE



Main particulars

Length 6.00 [m]
 Beam 2.15 [m]
 Draft (hull) 0.35 [m]
 Weight 800 [kg]
 Propulsion single outboard 25' shaft

	Nieuwdammerkade 28C3 1022 AB Amsterdam The Netherlands		www.tidemanboats.com bruno@tidemanboats.com +31 6 292 005 17		
	DRAWN CHECKED APPROVED	TIDEMAN BOATS B.A. de Vries B. Tideman	FORMAT SCALE DATE	A3 1:40 23-03-2018	PROJECTION 
	HDPE RBB 600 OB (BUDDYSEAT CONSOLE) – GENERAL ARRANGEMENT				
TYPE RBB 600 SINGLE OUTBOARD		YARD NO contractor YARD NO building yard	DWG NO	REV	REVISION —