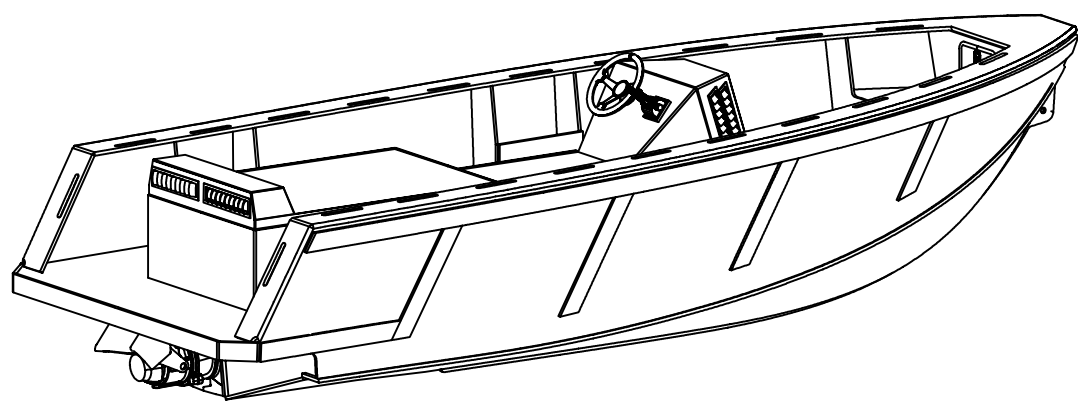
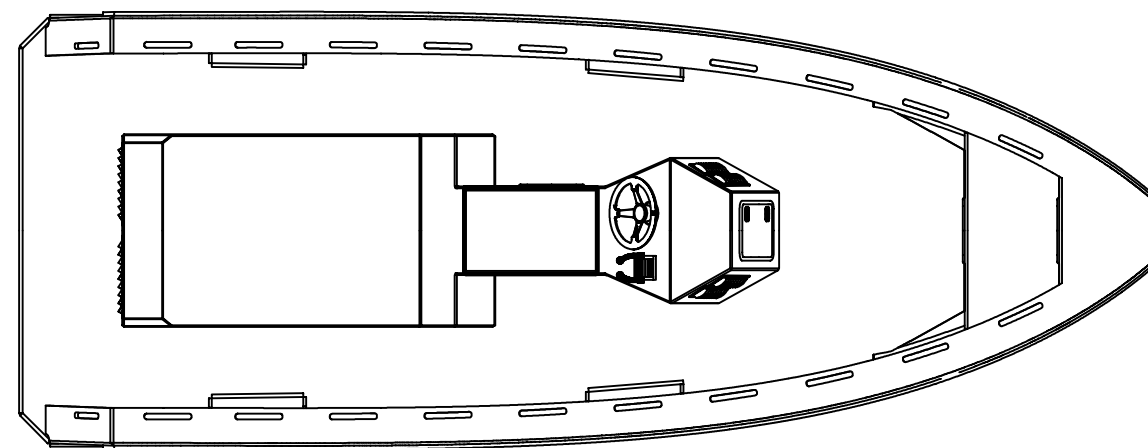


WL 450

BASE



Main particulars

Length 6.00 [m]
 Beam 2.35 [m]
 Draft (hull) 0.45 [m]
 Weight 1400 [kg]
 Propulsion (single) diesel – waterjet

	Nieuwendammerkade 28C3 1022 AB Amsterdam The Netherlands		www.tidemanboats.com bruno@tidemanboats.com +31 6 292 005 17		
	DRAWN TIDEMAN BOATS	CHECKED B.A. de Vries	FORMAT A3	SCALE 1:40	PROJECTION
	APPROVED B. Tideman	DATE 26-03-2018			
HDPE RBB 600 WJ – GENERAL ARRANGEMENT					
TYPE RBB 600 SINGLE DIESEL-WATERJET					
YARD NO contractor	YARD NO building yard	DWG NO	SET	REVISION —	