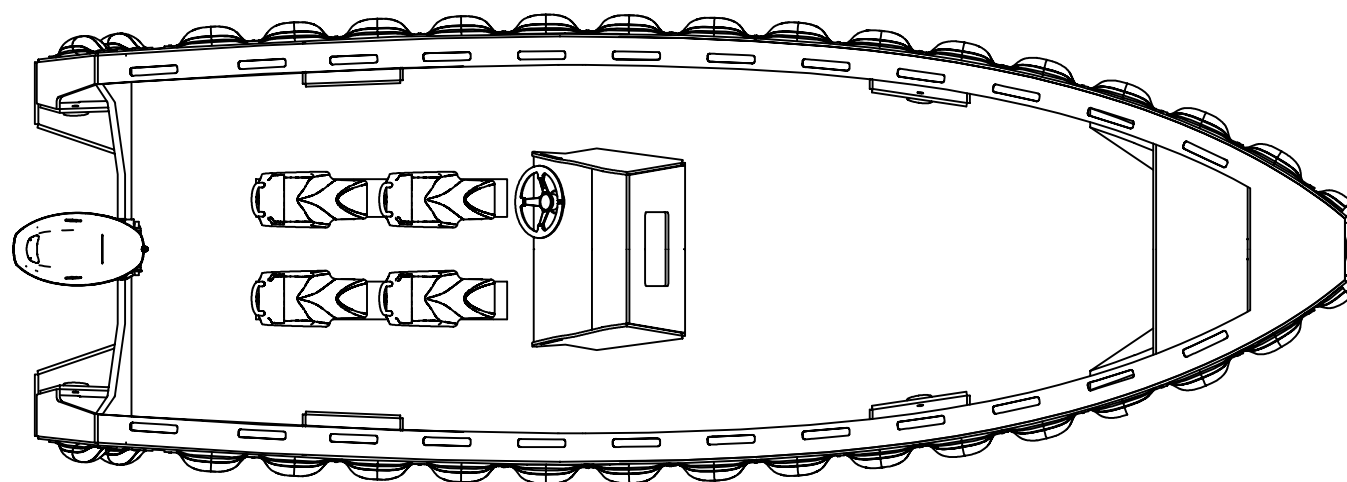
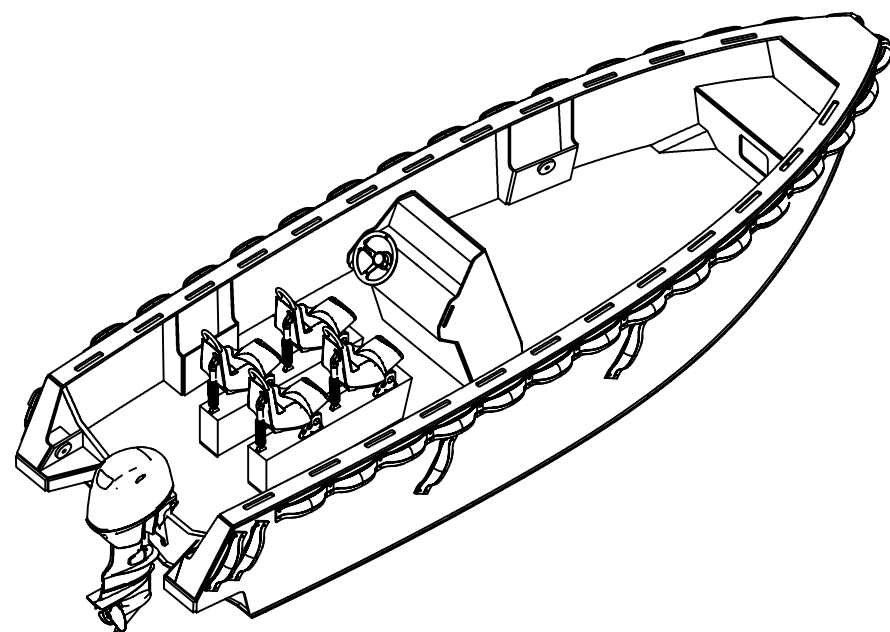


CWL400

BASE



Main particulars

Length 7.00 [m]
 Beam 2.35 [m]
 Draft (hull) 0.40 [m]
 Weight 1100 [kg]
 Propulsion outboard 25' shaft

	Nieuwendammerkade 28C3 1022 AB Amsterdam The Netherlands		www.tidemanboats.com bruno@tidemanboats.com +31 6 292 005 17		
	DRAWN CHECKED APPROVED	TIDEMAN BOATS B.A. de Vries B. Tideman	FORMAT SCALE DATE	A3 1:40 26-03-2018	PROJECTION
	HDPE RBB 700 OB - GENERAL ARRANGEMENT				
TYPE RBB 700 SINGLE OUTBOARD					
YARD NO contractor		DWG NO		REV	REVISION
YARD NO building yard					-