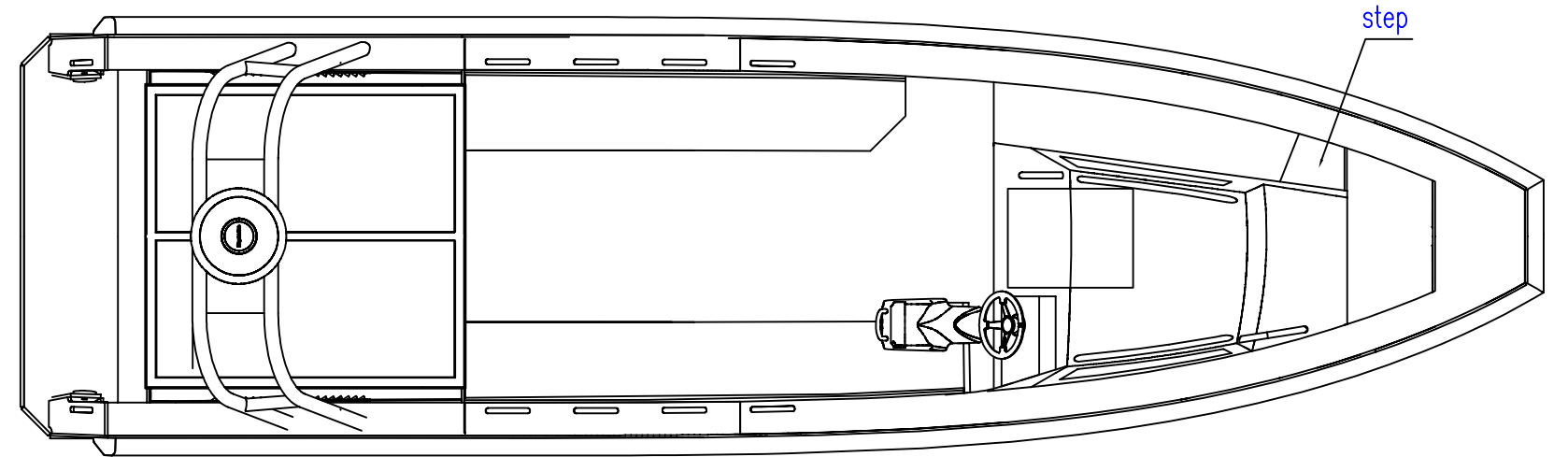
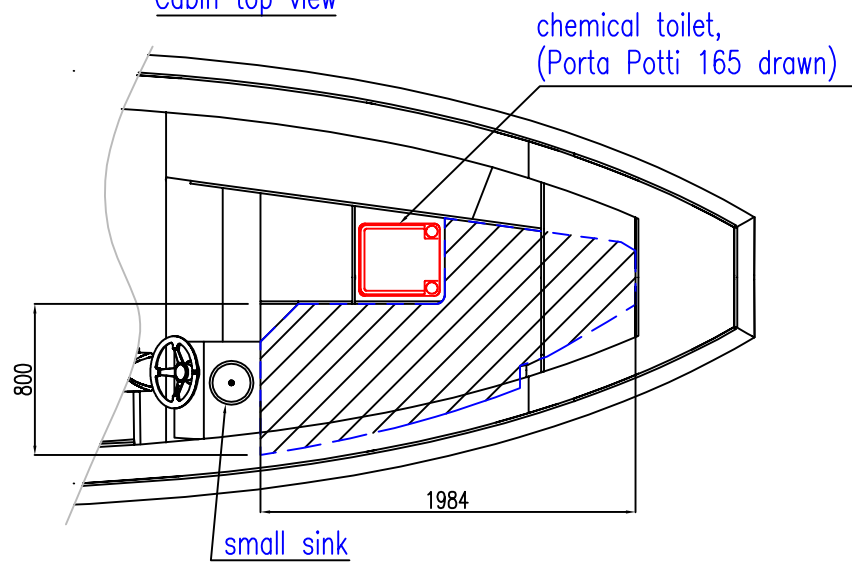
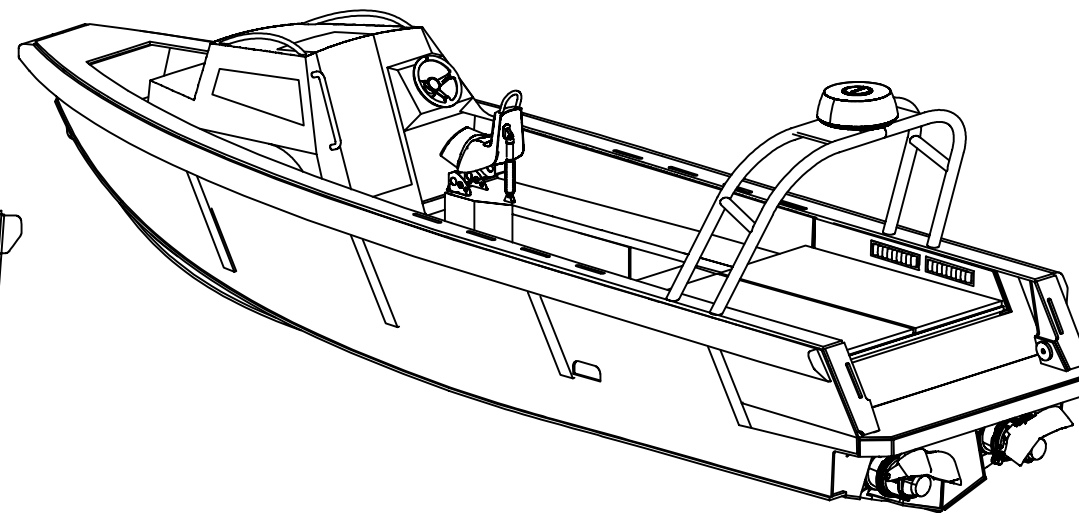
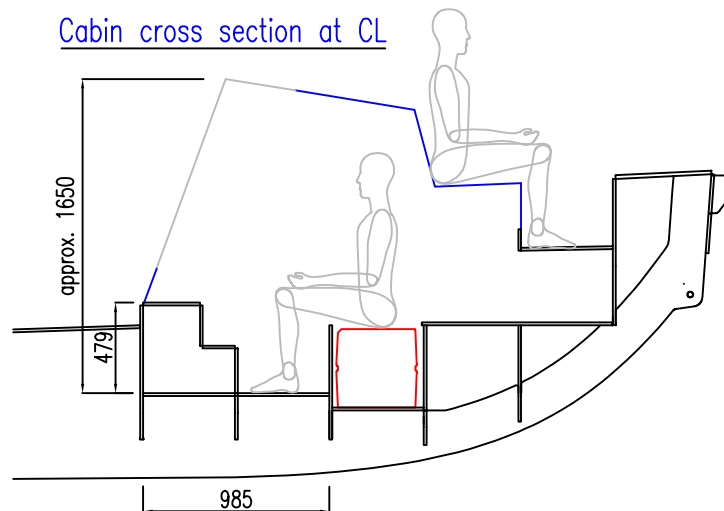


Cabin top view



Cabin cross section at CL



Main particulars

Length	8.80 [m]
Beam	2.35 [m]
Draft (hull)	0.45 [m]
Weight	3200 [kg]
Propulsion	twin diesel – waterjet

	Nieuwendammerkade 28C3 1022 AB Amsterdam The Netherlands		www.tidemanboats.com bruno@tidemanboats.com +31 6 292 005 17		
	DRAWN CHECKED APPROVED	TIDEMAN BOATS B.A. de Vries B. Tideman	FORMAT SCALE DATE	A3 1:40 27-03-2018	PROJECTION
	HDPE RBB 900 2WJ FrontCabin – GENERAL ARRANGEMENT				
TYPE RBB 900 TWIN WATERJET WITH FRONT CABIN					
YARD NO contractor	DWG NO	REV	REVISION		
YARD NO building yard			-		