



LCC 1000 Landing craft



The LCC 1000 is our cabin landing craft. Our customers use this 10-metre workboat to transport people and supplies from ship to shore. The unsinkable HDPE hull has a flexible layout to accommodate all your requirements: dive door, towing bit etc. The boat can be equipped with all modern navigation and communication equipment and is fully trailerable.

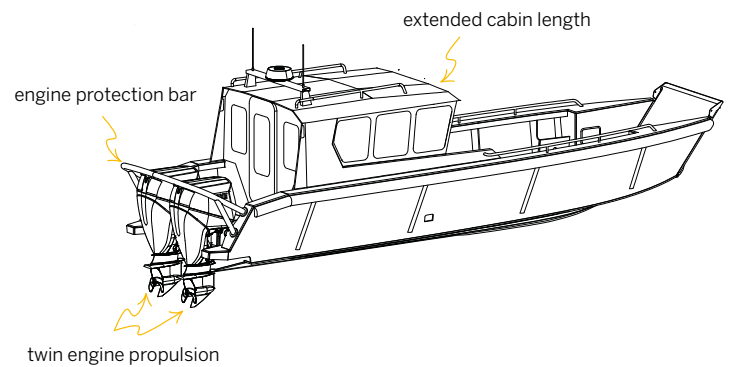
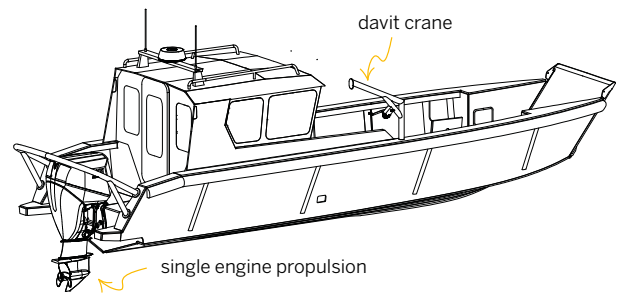
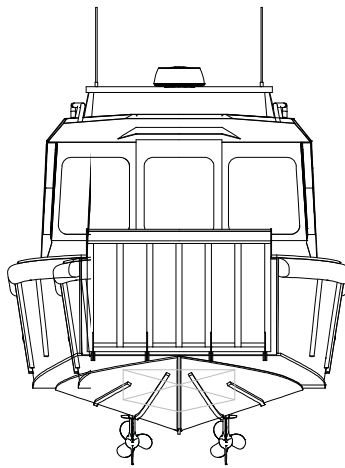
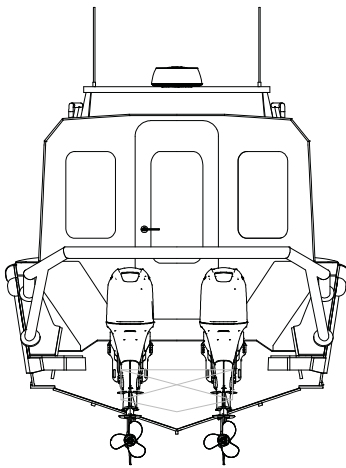
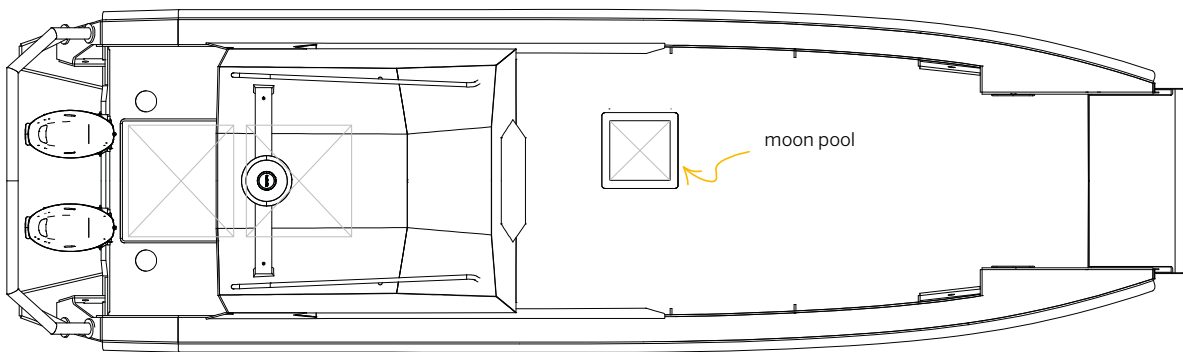
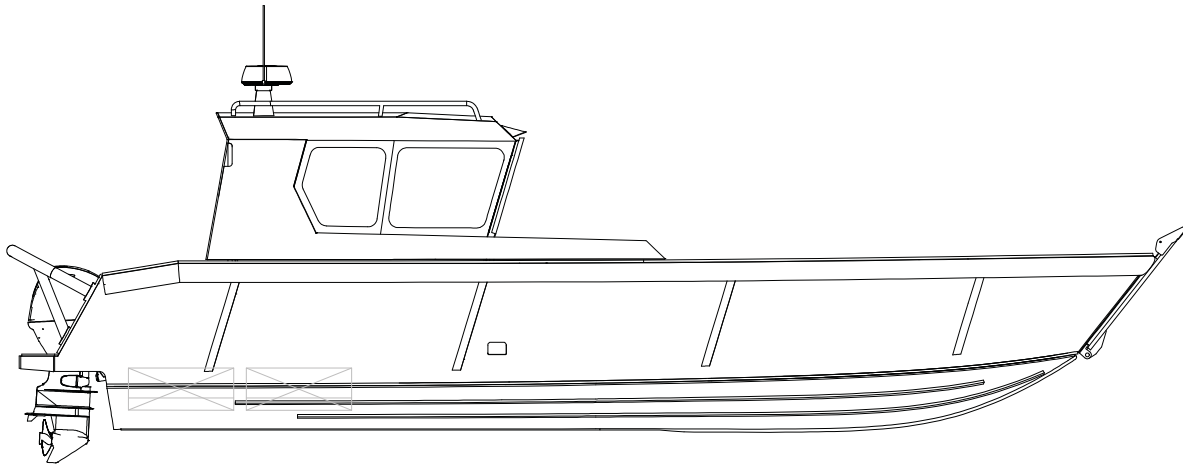


Layout	Center console
Task	Landing craft
LOA	9.80 m
BOA	2.90 m
Draft	0.40
Weigt	2500 kg
Payload kg	2000 kg
Engine	1 or 2
Propulsion	Outboard
Fuel	Gasoline or diesel
Power	max 300 hp (400 kg)
Tank liter	200 liter
Speed	32 knots
Range nm	100 nm
Seats (opt)	2 + 4



Scan and configure your own boat

LCC 1000 Landing craft



WORKSHOP/SHOWROOM

Schelphoek 115
1621 MK Hoorn
The Netherlands

TIDEMANSBOATS.COM

+31 229 245 999
+31 6 29 20 05 17
info@tidemanboats.com

