



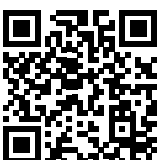
# LCC 1000

Landing Craft



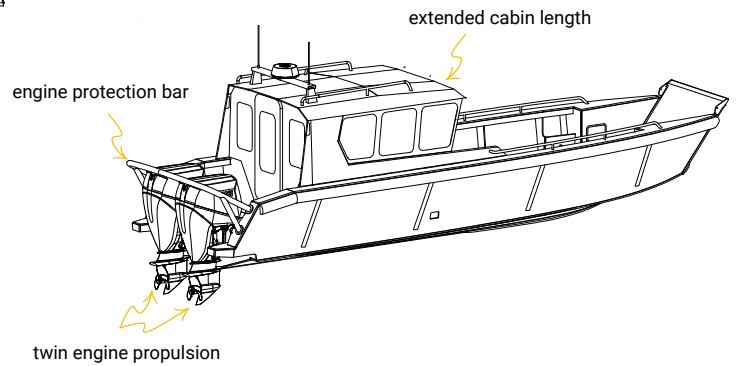
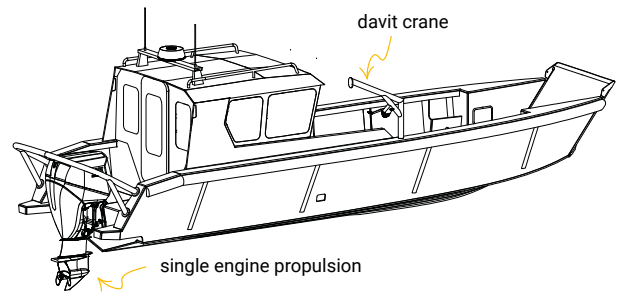
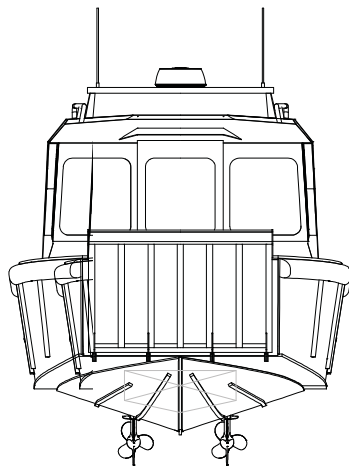
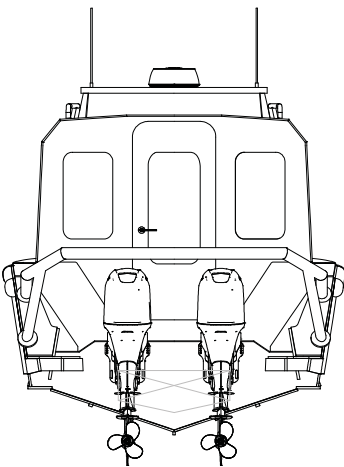
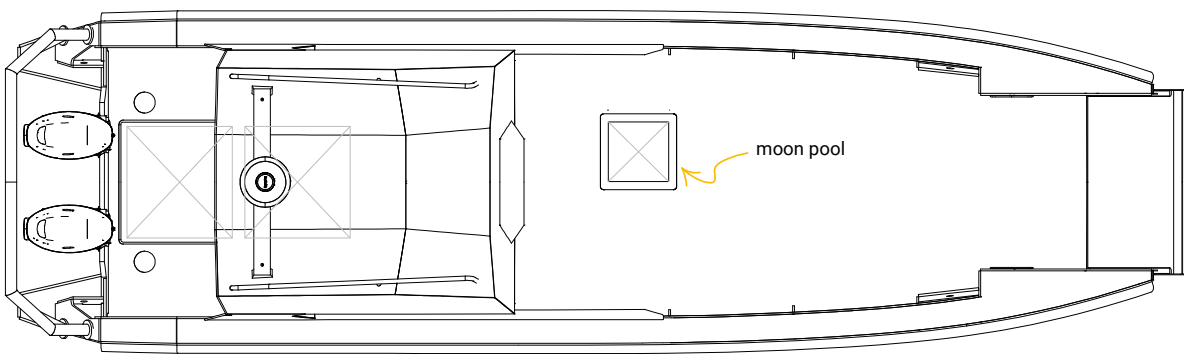
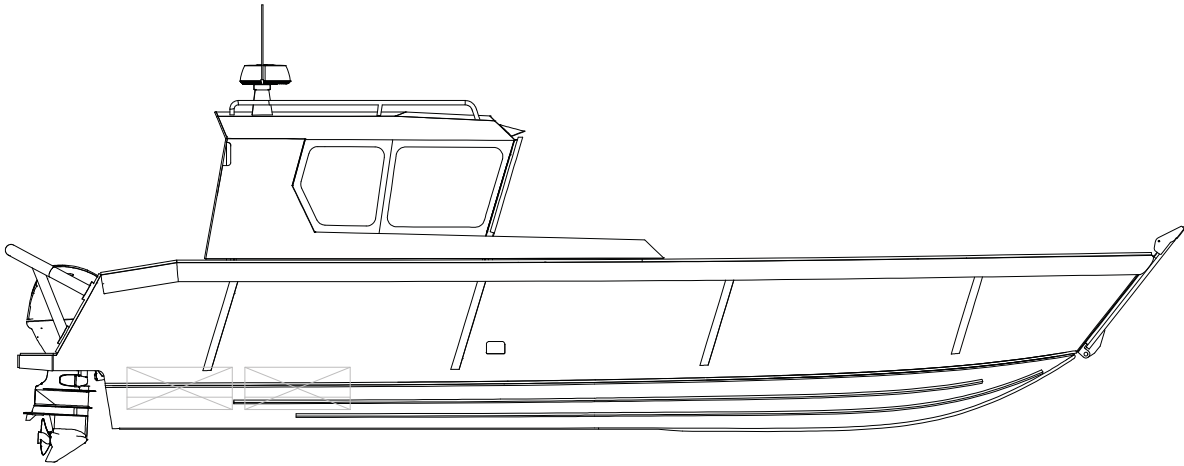
The LCC 1000 is our cabin landing craft. Our customers use this 10-metre workboat to transport people and supplies from ship to shore. The unsinkable HDPE hull has a flexible layout to accommodate all your requirements: dive door, towing bollard etc. The boat can be equipped with all modern navigation and communication equipment and is fully trailerable.

|                    |                    |
|--------------------|--------------------|
| <b>Layout</b>      | Cabin              |
| <b>Task</b>        | Landing craft      |
| <b>LOA</b>         | 9.70 m             |
| <b>BOA</b>         | 2.80 m             |
| <b>Draft</b>       | 0.30               |
| <b>Weigt</b>       | 2800 kg            |
| <b>Payload kg</b>  | 2000 kg            |
| <b>Engine</b>      | 1 or 2             |
| <b>Propulsion</b>  | Outboard           |
| <b>Fuel</b>        | Gasoline or diesel |
| <b>Power</b>       | max 2 x 200 hp     |
| <b>Tank</b>        | 2 x 240 liter      |
| <b>Speed</b>       | 42 knots           |
| <b>Range</b>       | 150 nm             |
| <b>Seats (opt)</b> | 2 - 6              |



Scan and configure your own boat

# LCC 1000



**WORKSHOP/SHOWROOM**  
Schelphoek 115  
1621 MK Hoorn  
The Netherlands

**TIDEMANBOATS.COM**  
+31 229 245 999  
+31 6 29 20 05 17  
info@tidemanboats.com

