



# RBB 1100

Patrol, interception, crew tender



The RBB 1100 is our largest center console workboat. Our customers use this 11 metre open workboat for intercepting, patrolling and crew tendering. The unsinkable HDPE hull has a flexible layout to accommodate all your requirements: dive door, push bow, towing bollard etc. The boat can be equipped with all modern navigation and communication equipment and fits up to 13 suspensions seats.

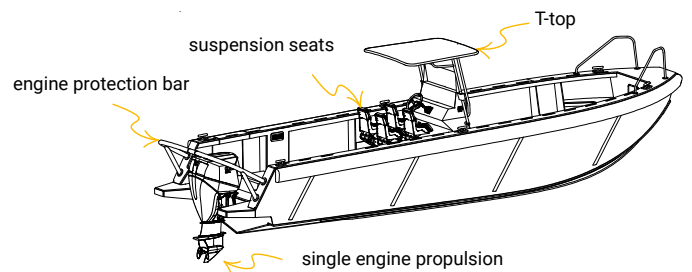
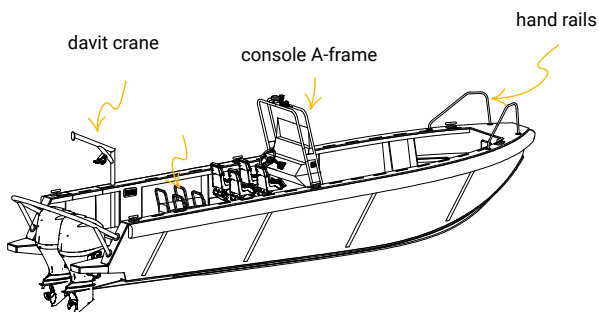
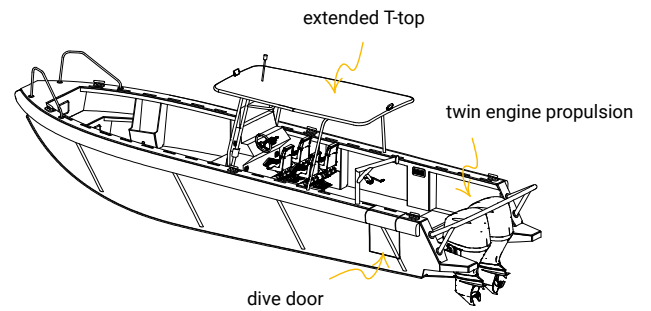
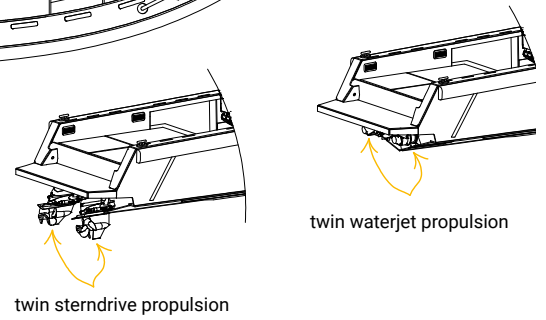
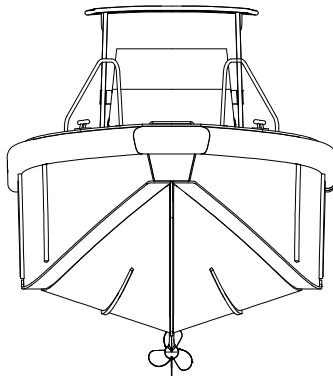
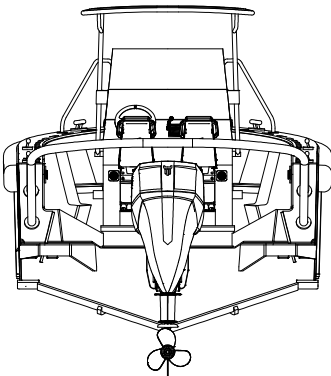
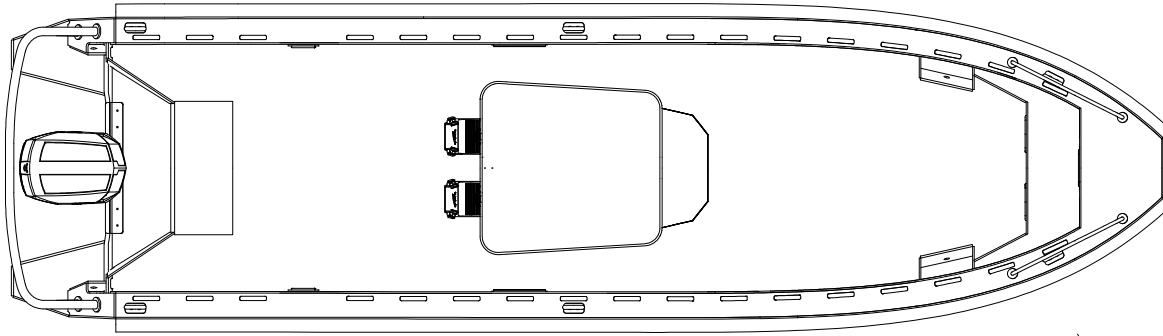
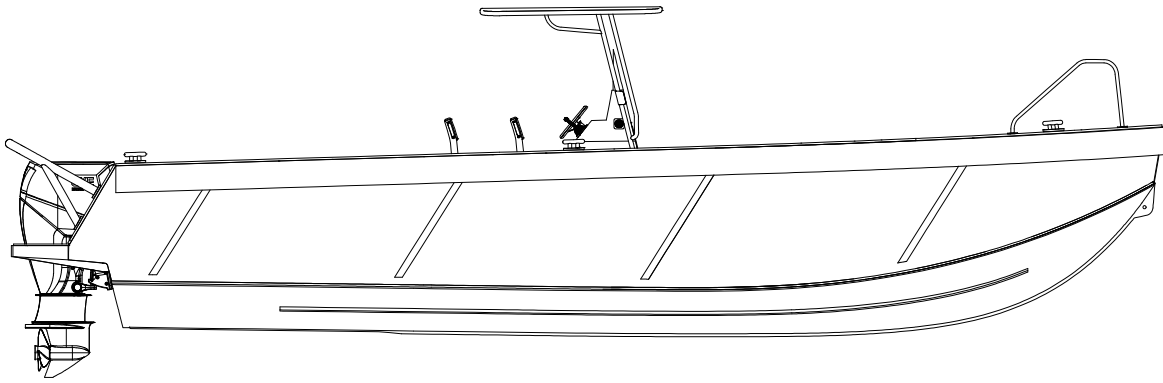


<b>Layout</b>	Center console or cudy
<b>Task</b>	Patrol, interception, crew tender
<b>LOA</b>	10.70 m
<b>BOA</b>	2.80 m
<b>Draft</b>	0.40
<b>Weigt</b>	3800 kg
<b>Payload kg</b>	2500 kg
<b>Engine</b>	1 or 2
<b>Propulsion</b>	Outboard
<b>Fuel</b>	Gasoline or diesel
<b>Power</b>	2 x 350 hp
<b>Tank</b>	2 x 500 liter
<b>Speed</b>	48 knots
<b>Range</b>	300 nm
<b>Seats (opt)</b>	2 - 12



Scan and configure your own boat

# RBB 1100



**WORKSHOP/SHOWROOM**  
Schelphoek 115  
1621 MK Hoorn  
The Netherlands

**TIDEMANBOATS.COM**  
+31 229 245 999  
+31 6 29 20 05 17  
info@tidemanboats.com

