



# RBB 700

Support, patrol, crew



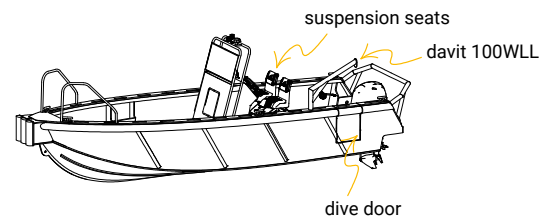
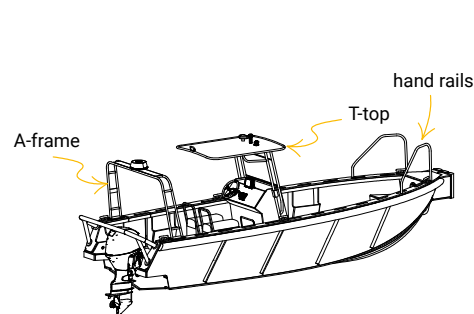
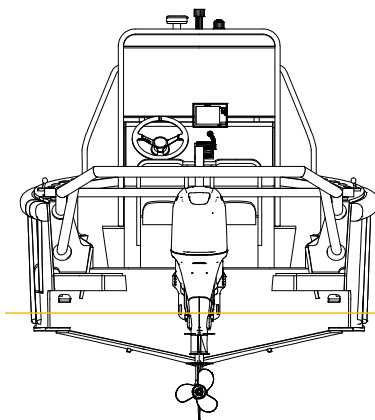
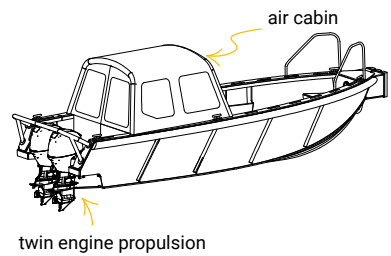
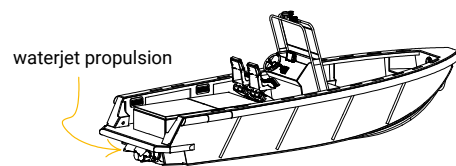
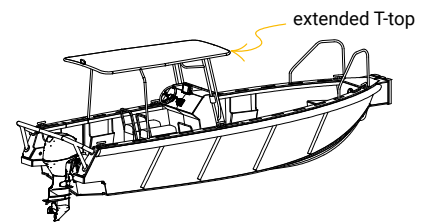
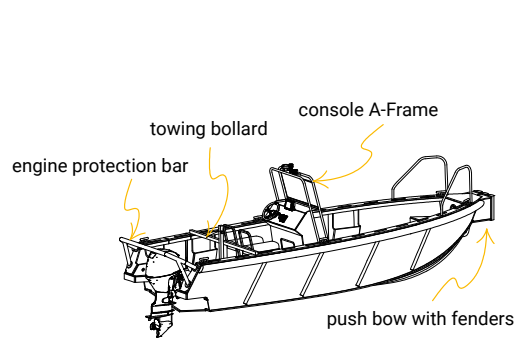
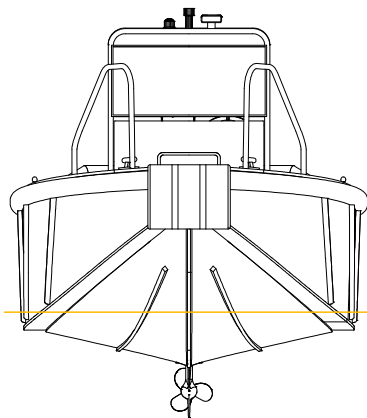
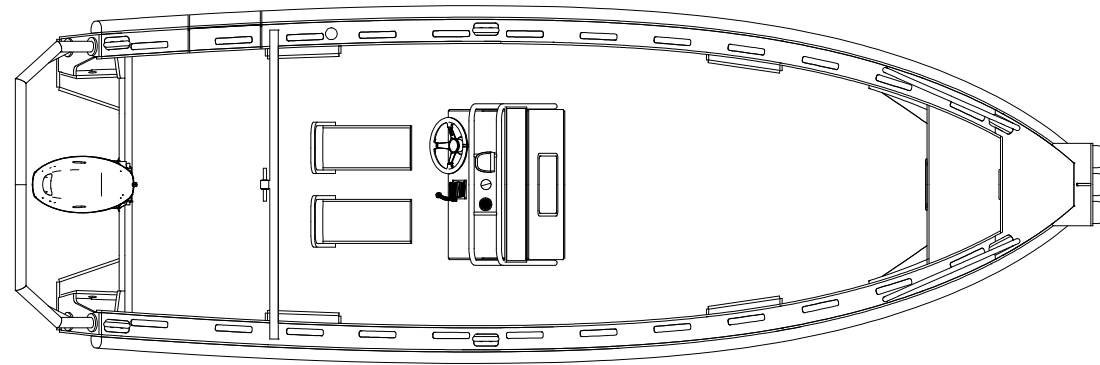
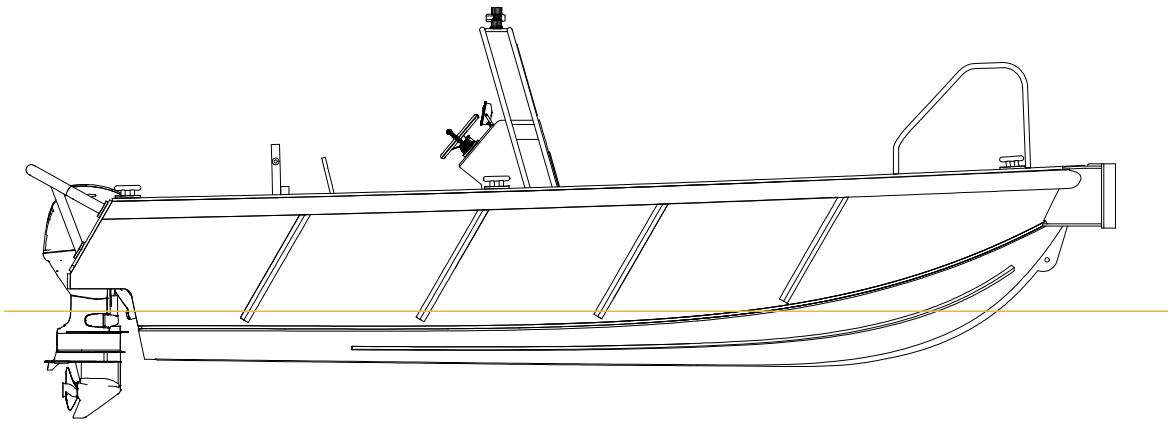
The RBB 700 is our smallest and most versatile platform. Our customers use this 7 metre workboat for dive support, surveying, patrolling and crew tendering. The unsinkable HDPE hull has a flexible layout to accommodate all your requirements: dive door, push bow, towing bollard etc. The boat can be equipped with all modern navigation and communication equipment. Propulsion by gasoline or diesel outboards or diesel waterjet.



Scan and configure your own boat

<b>Layout</b>	Center console
<b>Task</b>	Support, patrol or crew
<b>LOA</b>	7.10 m
<b>BOA</b>	2.30 m
<b>Draft</b>	0.30 m
<b>Weight</b>	1500 kg
<b>Payload kg</b>	800 kg
<b>Engine</b>	1 or 2
<b>Propulsion</b>	Outboard/waterjet
<b>Fuel</b>	Gasoline or diesel
<b>Power</b>	Max 2 x 115 hp
<b>Tank</b>	2 x 90 liter
<b>Speed</b>	35 knots
<b>Range</b>	100 nm
<b>Seats (opt)</b>	2 - 6
<b>Transport</b>	Trailerable
<b>Transport</b>	Fits in 40ft high cube container

# RBB 700



**WORKSHOP/SHOWROOM**  
Schelphoek 115  
1621 MK Hoorn  
The Netherlands

**TIDEMANBOATS.COM**  
+31 229 245 999  
+31 6 29 20 05 17  
info@tidemanboats.com

