



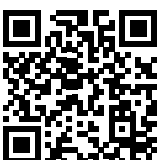
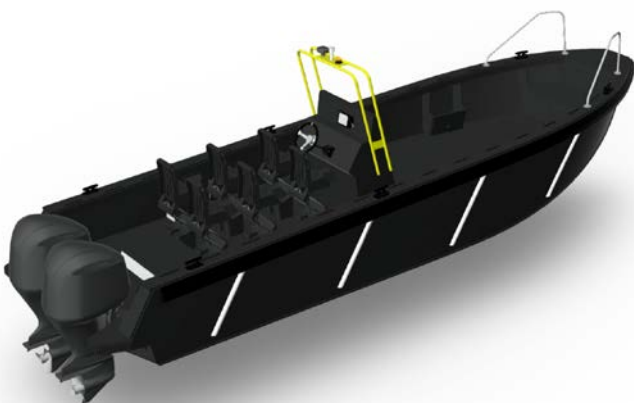
RBB 900

Crew tender, patrol survey



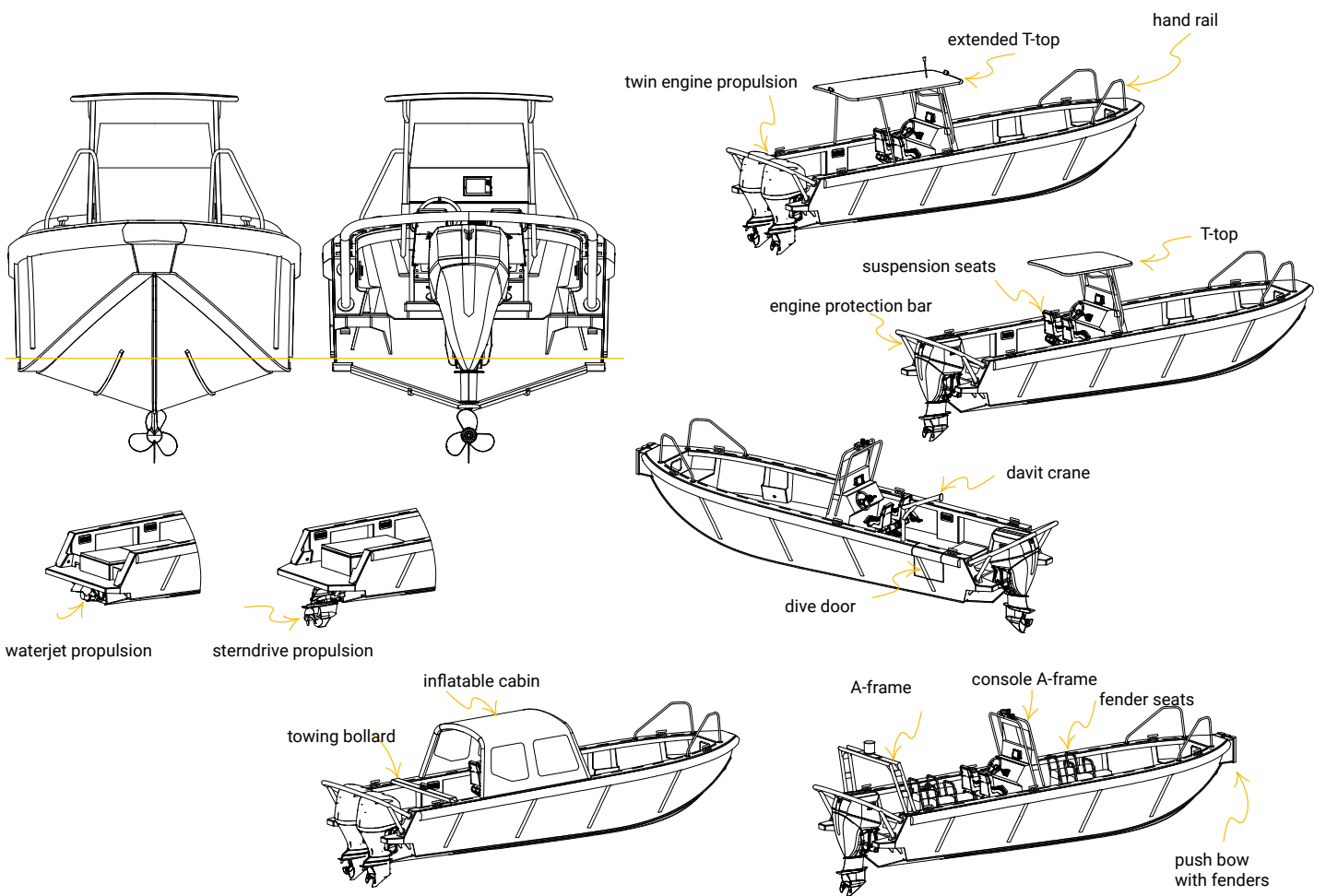
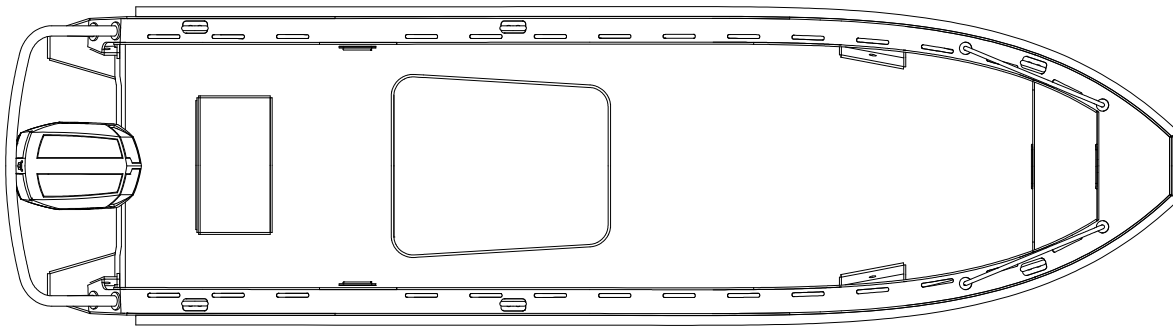
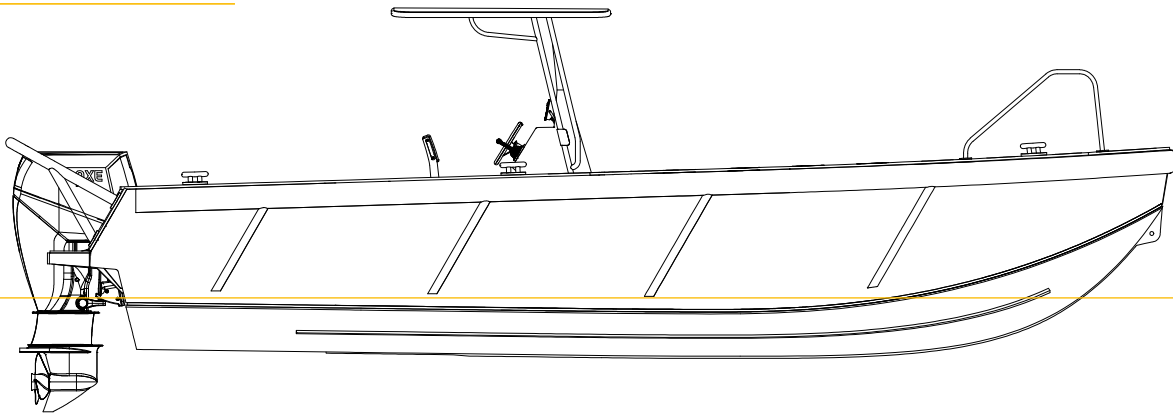
The RBB 900 is our midsize centre console workboat. Our customers use this 9-metre workboat for dive support, surveying, patrolling and crew tendering. The unsinkable HDPE hull has a flexible layout to accommodate all your requirements: dive door, push bow, towing bollard etc. The boat can be equipped with all modern navigation and communication equipment and is fully trailerable.

Layout	Center console
Task	Crew tender, patrol survey
LOA	8.70 m
BOA	2.50 m
Draft	0.30 m
Weight	2400 kg
Payload kg	1200 kg
Engine	1 or 2
Propulsion	Outboard/waterjet/sterndrive
Fuel	Gasonline or diesel
Power	Max 2 x 200 hp
Tank	2 x 240 liter
Speed	48 knots
Range	400 nm (diesel)
Seats (opt)	2 - 10
Transport	Trailerable
Transport	Fits in 40ft high cube container



Scan and configure your own boat

RBC 900



WORKSHOP/SHOWROOM
Schelphoek 115
1621 MK Hoorn
The Netherlands

TIDEMANBOATS.COM
+31 229 245 999
+31 6 29 20 05 17
info@tidemanboats.com





LC 1000

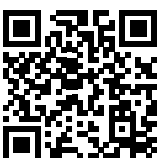
Landing Craft



The LC 1000 is our centre console landing craft. Our customers use this 10-metre workboat to transport people and supplies from ship to shore. The unsinkable HDPE hull has a flexible layout to accommodate all your requirements: dive door, towing bollard etc. The boat can be equipped with all modern navigation and communication equipment and is fully trailerable.

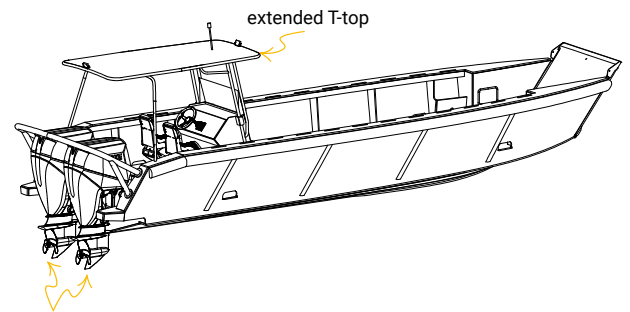
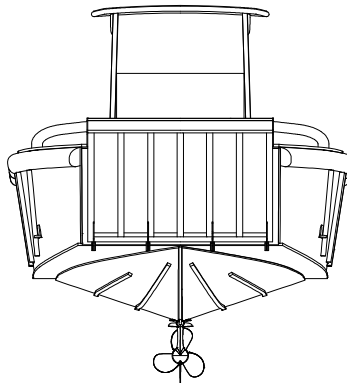
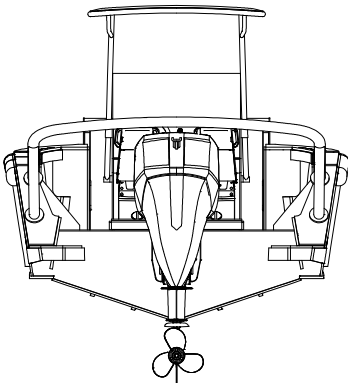
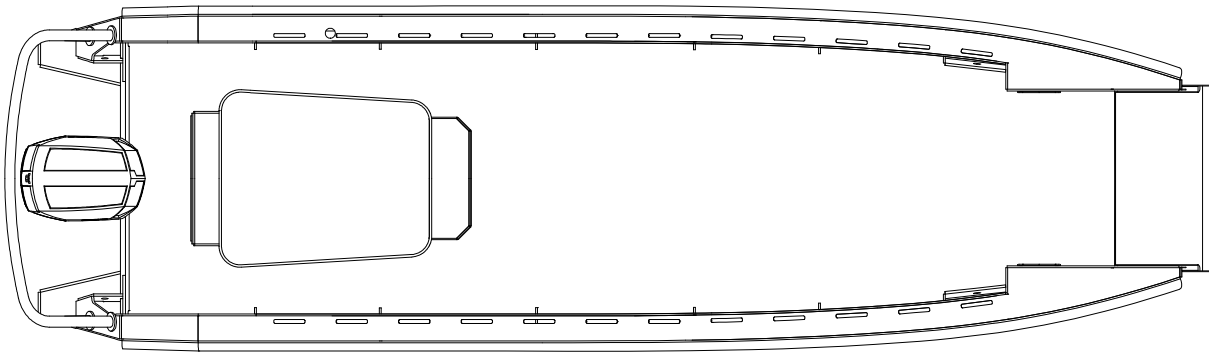
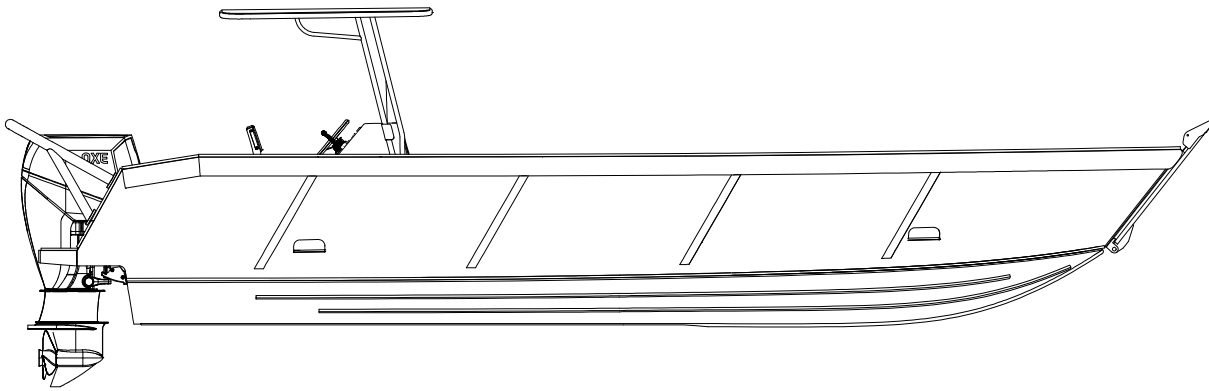


Layout	Center console
Task	Landing craft
LOA	9.70 m
BOA	2.80 m
Draft	0.30
Weigt	2500 kg
Payload kg	2000 kg
Engine	1 or 2
Propulsion	Outboard
Fuel	Gasoline or diesel
Power	max 2 x 200 hp
Tank	2 x 240 liter
Speed	45 knots
Range	150 nm
Seats (opt)	2 - 6

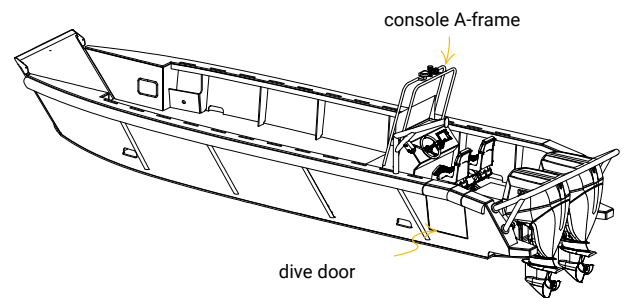
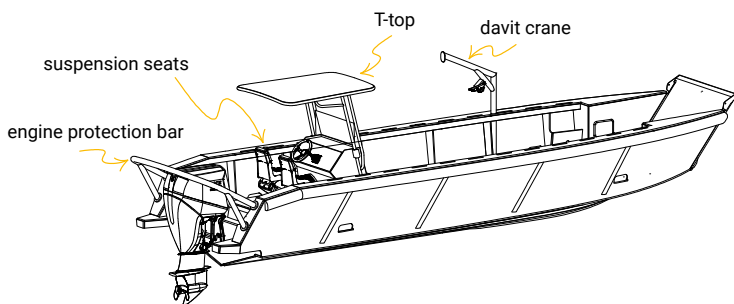


Scan and configure your own boat

LC 1000



twin engine propulsion



WORKSHOP/SHOWROOM
Schelphoek 115
1621 MK Hoorn
The Netherlands

TIDEMANBOATS.COM
+31 229 245 999
+31 6 29 20 05 17
info@tidemanboats.com

